

MONTAJES CONSERVEROS DE GALICIA

MCG

Round Can Seamers

R-645



NEW

**1 SINGLE OPERATOR
2 MACHINES**

Ends feeding from both sides.

NEW

**TANGENTIAL
ENTRANCE**

minimum spillage.



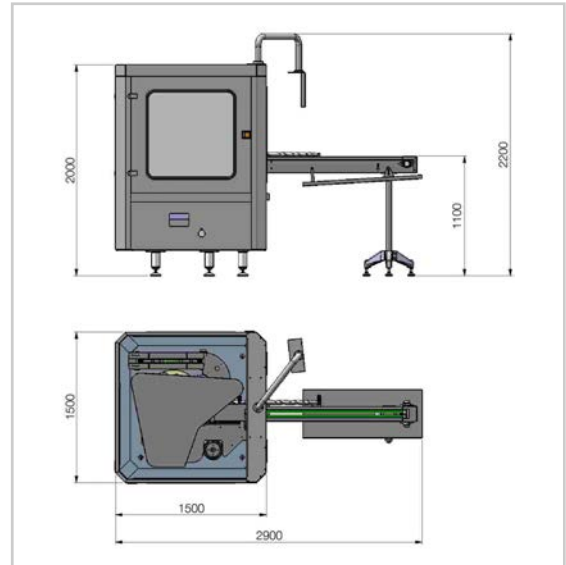
Characteristics

Technical Data:

Diameter min-max	50-110 mm
Height min-max	25-150 mm (others under request)
Seaming Stations	6
Capacity max	450 cpm
Tooling changeover	2-3 hours
Height changeover	5-10 minutes

Measures & Consumptions:

Dimensions	2.900 x 1.500 x 2.200 mm
Volume	9,6 m ³
Weight	2.400 Kg
Motor	7 CV
Air	80 l/h at 6 Kg/cm ³



DESCRIPTION

Automatic cans feeding with synchronisation timing-screw.
 Ends feeding from both sides: right and left, allowing 1 single operator to handle 2 machines. (NEW)
 Ends feeding extensión.
 Seaming pulley with 6 spindles & ends feeding system fixed to the upper frame and supported by 3 elevation pillars to achieve bigger stability, seaming capacity and consistency.
 Height change by moving all upper frame.
 2 watertight seaming rolls from AISI 440C: 1st oper. (one) and 2nd oper. (one) for each station.
 Exit motorized conveyor.
 Safety systems, electronic frequency speed variator and programmable PLC.
 Hygienic and Safety guards of Inox according to CE rules.



OPTIONS

Ends marker by ink injector, model to be determined.
Automatic elevation of seaming pulley & ends feeding system.
Steam or gas injection device.
 Coupling & Synchronisation with liquid Fillers